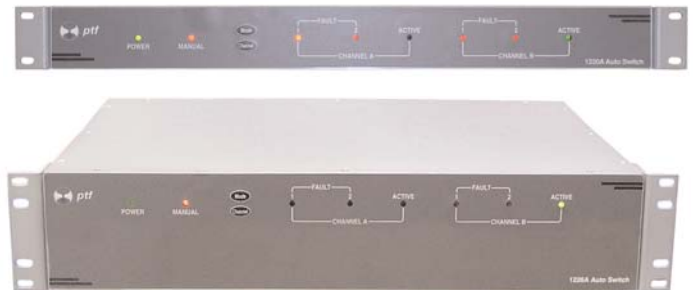




ptf

1220A/1226A AUTO SWITCH FAILSAFE REDUNDANT SWITCH

- Switches two RF/Pulse Pairs
- Fast Switching time (<3msec typical)
- Settable pulse and RF period
- Settable "jitter" range
- Remote Control/Monitor
- SNMP, HTTP, Console, interfaces
- Power fail "failsafe" operation



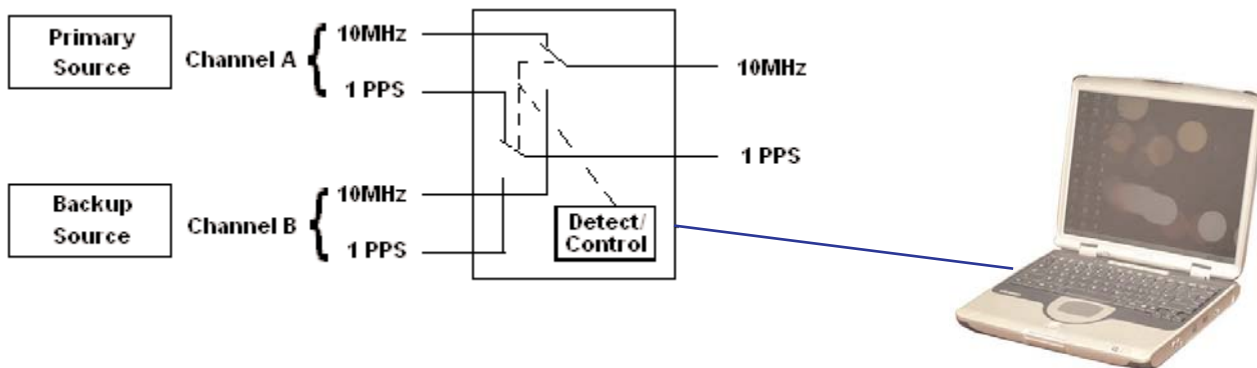
The **ptf** 1220A (1U) and 1226A (2U) Auto Switch is purpose designed for time and frequency applications where reliability criteria call for redundant RF and Pulse sources. Based on the latest advances in semiconductor technology, the unit accepts two input pairs consisting of an RF (sine/square) signal and a pulse (typically 1 PPS). Both primary and backup input pairs are monitored for signal health, and if either the primary RF or pulse signals are determined faulty, the unit automatically switches to the backup channel within < 3msec (typical). In addition to providing for local control from the instrument front panel, the comprehensive com-

munications package provides status reporting and instrument control on both RS232 and Ethernet interfaces with a variety of available protocols.

Range setting on the pulse and frequency inputs allows fast detection of RF signals from <1MHz to >20MHz and pulse ranges from 0.1second to 2 seconds,

Front panel indicators include RF and fault monitoring on each of the input channels, together with active channel indication and operating mode (auto/manual).

The 1226A (2&U) utilizes *quad-bloc* cards for additional RF and Pulse outputs (up to 24 total).





SPECIFICATIONS

ELECTRICAL

Inputs

Channel A

RF Input >1MHz to <20MHz sine wave
13 dBm (1V rms nominal)

Pulse Input 0.5 to 10 Hz
5V CMOS into 50 ohms

Channel B

RF Input >1MHz to <20MHz sine wave
13 dBm (1V rms nominal)

Pulse Input 0.5 to 10 Hz
5V CMOS into 50 ohms

Outputs (Same as Selected Input Signals)

RF <1MHz to >20MHz sine wave
13 dBm (1V rms nominal)

Pulse 1 PPS (range 0.5 to 10 Hz)
5V CMOS into 50 ohms

Alarms Relay Contacts

Switching

Switching Time <3 milli seconds (typical)

Type Relays (Failsafe)
Break before Make

Switch Control Auto/Remote/Local

Front Panel

Controls

Mode Auto/Manual

Channel Select Ch A / Ch B

Indicators

Mode(Manual/Auto) Green LED

Active Ch. (A/B) Green LED

Channel A

Fault 1 (Pulse) Red LED

Fault 2 (RF) Red LED

Channel B

Fault 1 (Pulse) Red LED

Fault 2 (RF) Red LED

Control/Monitor Features

Ethernet SNMP
HTTP

RS 232 Console interface

ENVIRONMENTAL/PHYSICAL

Power Requirements

AC Input (±15%) 90 - 264 VAC, <10W

DC Input (optional)

Dimensions

1U x 19" x 12"

Operating Temp.

0 to 50 deg. C

Relative Humidity

0-95% (non-cond.)

Configuration Options

Option #	Description
DCPS	DC Power Supply
RSLD	Mounted Rackslides
FSRF	Fast RF Switching
LFRF	<1MHz RF Switching(e.g. IRIG B)



1226A rear view



1220A rear view

Specifications subject to change without notice